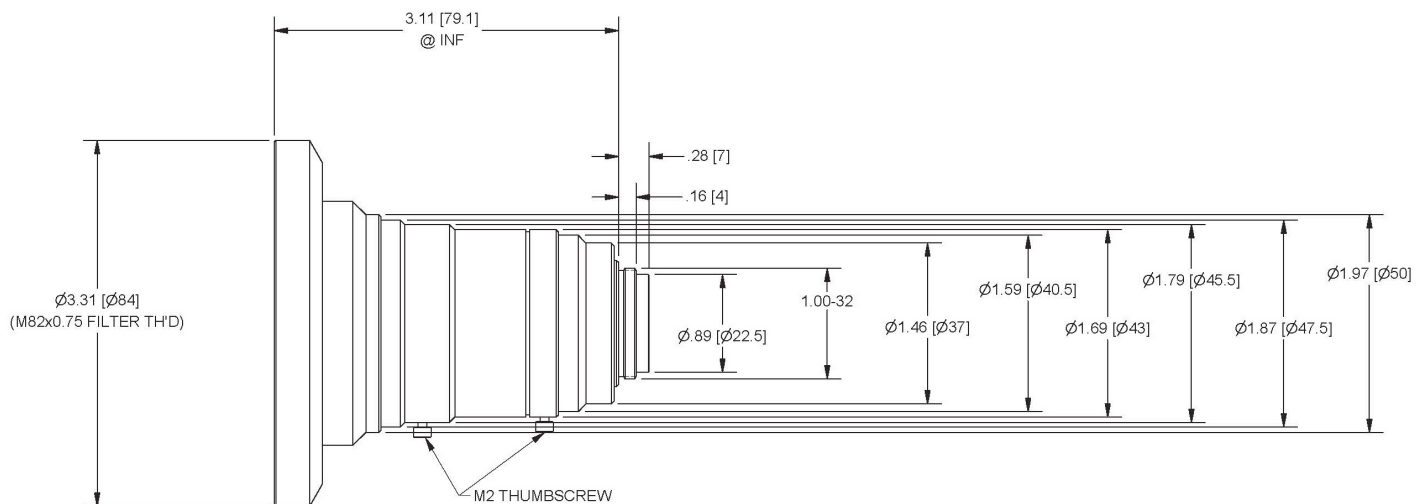
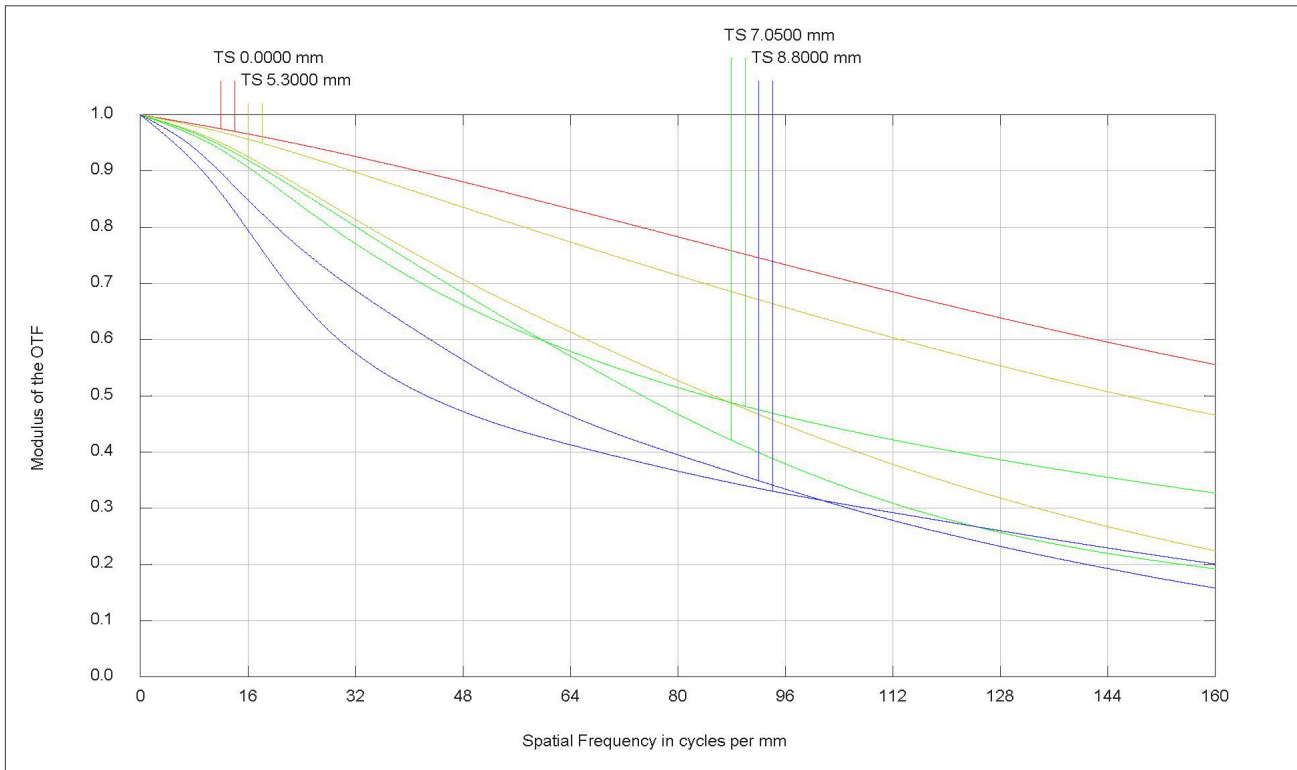


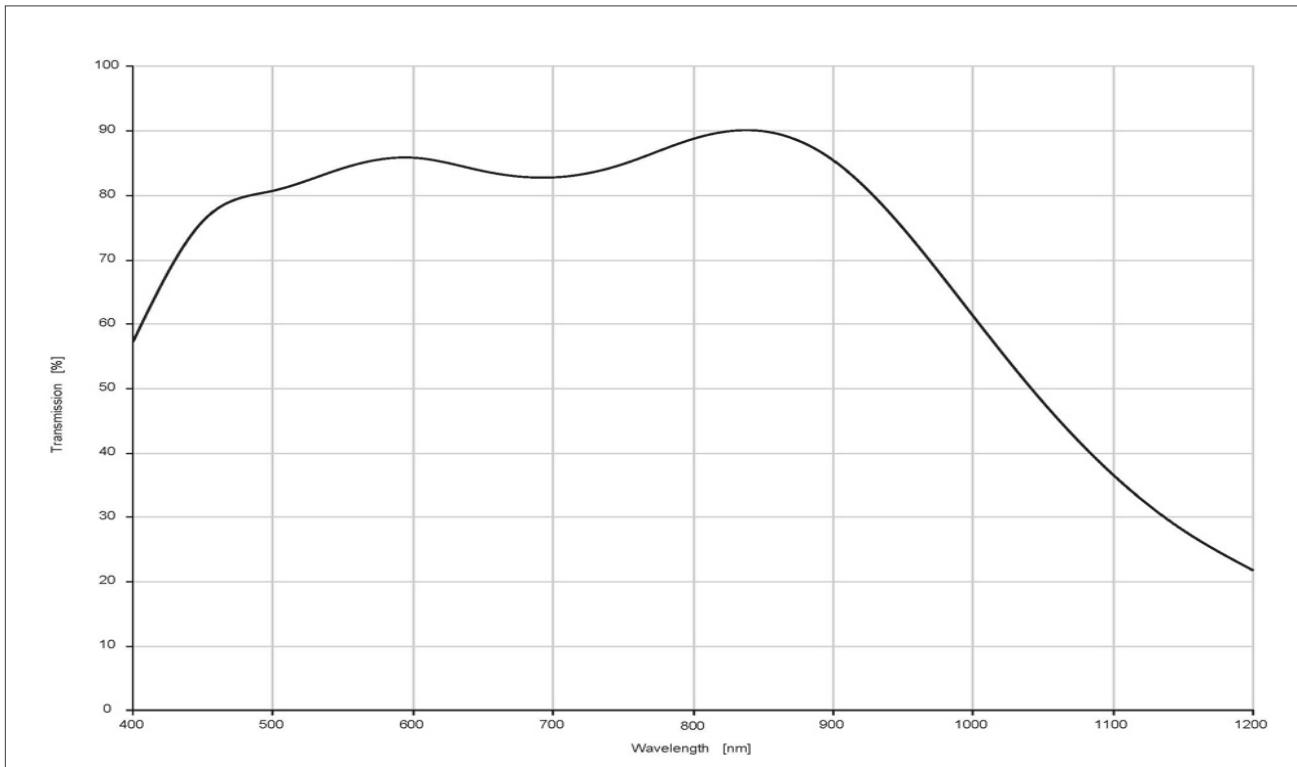
Specifications		1.1"
Focal Length		6.5mm
Image Range		F/2.5 - 16
Image Size		14.1 x 10.6 (Ø17.6)
Field Angle H x V (Diagonal)	1.1"	95.7° x 78.7° (109.1°)
	1"	89.9° x 73.0° (103.4°)
	2/3"	68.1° x 53.5° (80.8°)
TV Distortion		-1.51%
FOV at MOD (mm) H x V (Diagonal)	1.1"	256 x 190 (323)
	1"	231 x 172 (292)
	2/3"	157 x 117 (197)
Minimum Focus Distance		0.1m
Flange Focus		17.526mm in air
Back Focus		10.9mm in air
Filter Screw Size		M82x0.75
Clear Aperature - Front / Rear		Ø46mm / Ø18.5mm
Mount		C-Mount
Exit Pupil		-61.7mm
Temperature Range		- 10 ~ + 50° C
Storage Temperature Range		- 20 ~ + 60° C
Resolution - Center / Corner		160 lp/mm / 100 lp/mm
Weight		310g



MTF



Transmission



For information on our full line of NMV machine vision lenses please visit <https://www.navitar.com/NMV/>