



# Edge Backlighting

Main Applications    Size Measurement, Transmitted Light Inspection  
 Detection of Film Stain or Edge

Thin and flat for space constrained applications (diffuse plate type)  
 Suitable for edge inspection  
 Uniform light distribution



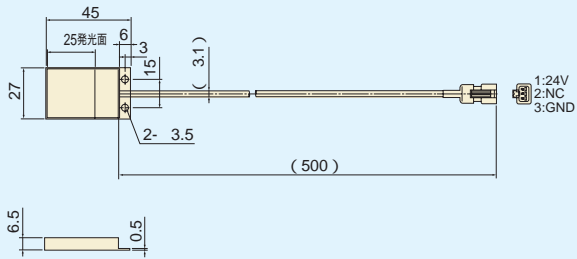
## Edge Backlighting

Series	Model No.	Color	Dimension of Lighting Area (mm)	Power Consumption	Drawing
UEB Series	UEB-25R25	Red	25×25	24V/0.5W	UEB-25*25
	UEB-25W25	White		24V/0.4W	
	UEB-25B25	Blue		24V/0.4W	
	UEB-50R50	Red	50×50	24V/1.9W	UEB-50*50
	UEB-50W50	White		24V/3.3W	
	UEB-50B50	Blue		24V/3.3W	
	UEB-70R50	Red	70×50	24V/1.9W	UEB-70*50
	UEB-70W50	White		24V/3.3W	
	UEB-70B50	Blue		24V/3.3W	
	UEB-100R100	Red	100×100	24V/3.8W	UEB-100*100
	UEB-100W100	White		24V/6.5W	
	UEB-100B100	Blue		24V/6.5W	

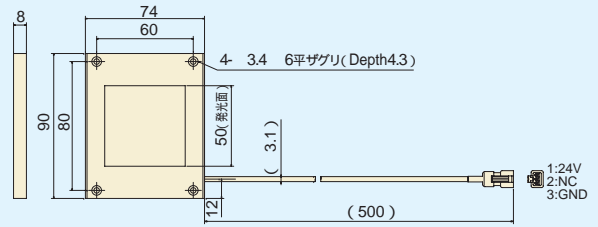
Operating voltage: DC 24V

Green and IR850 are also available. Other wavelengths such as IR940 are available upon request. Please contact us for details.

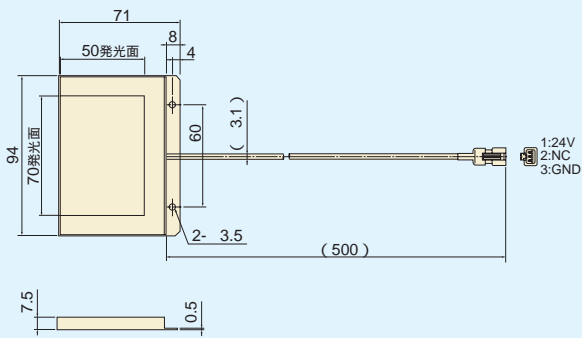
### UEB-25\*25



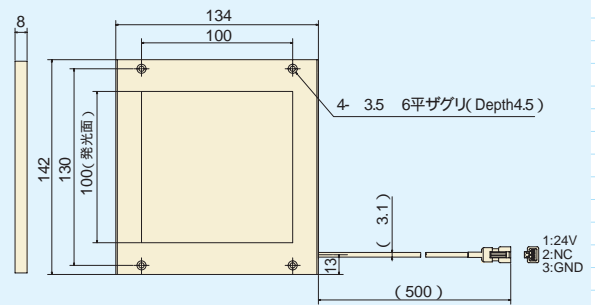
### UEB-50\*50



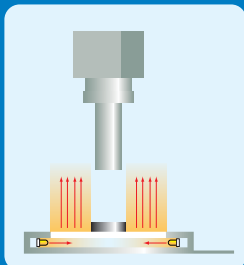
### UEB-70\*50



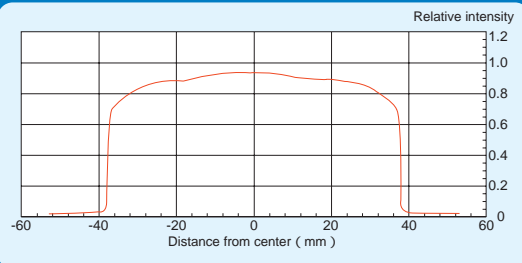
### UEB-100\*100



All dimensions in mm



UEB-50R50 Light distribution



UEB-50R50 Light distribution

