

# Direct Dome Light

## IDD-□□/□□

DC 24V products available

### Strong irradiation from all directions

LEDs are mounted inside a dome; therefore, strong irradiation can be made from all directions. The optional diffusing dome is effectively used to irradiate strong diffused light on a spherical work without any shadow. A special model has two or more LED lines vertically that have respective circuits to control light independently. An integrated type of coaxial light is available at your request. Variations of red, white, blue, green, infrared, and near-ultraviolet light are available. Variations of red, white, blue, green, mixed-color, infrared, and ultraviolet are available.

Unit: mm



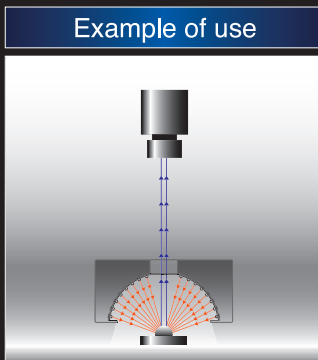
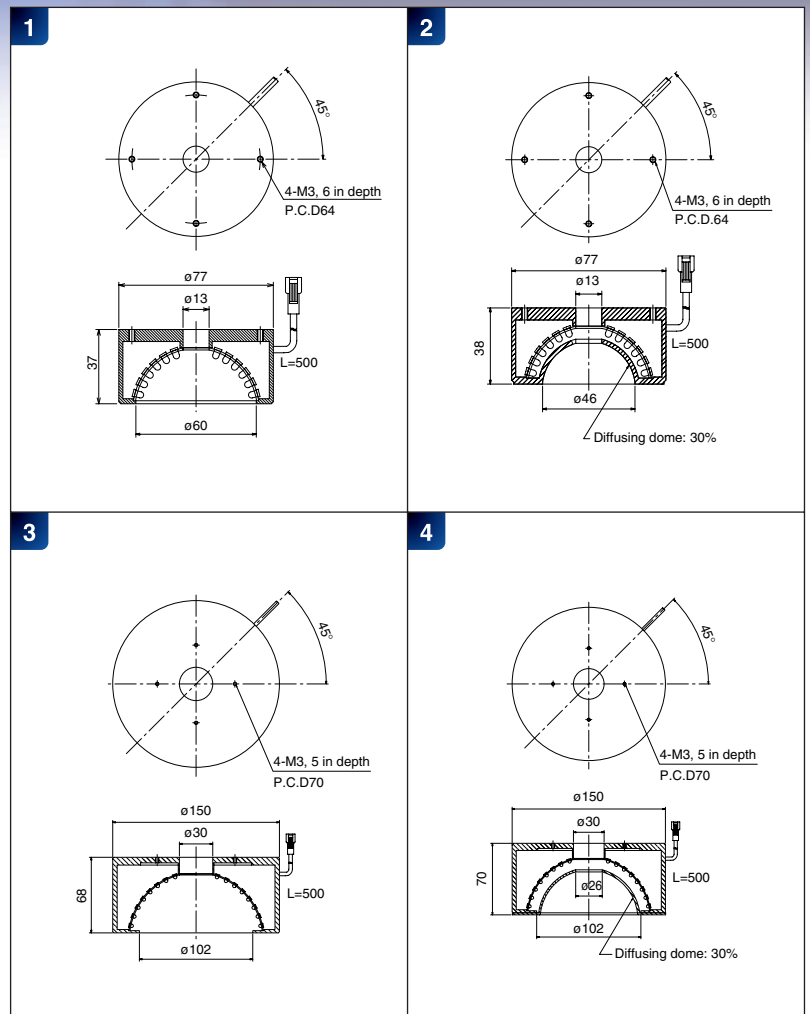
A diffusing dome of 30% is mounted.

Model (12V)	Irradiating color	Number of LEDs	Power Consumption (W)	SAG (°)	Outline drawing	Model (24V)
IDD-60/13R	R	66	2.7	6F	1	IDD-60RHV
IDD-60/13DW	W	66	5.3	FF		IDD-60WHV
IDD-60/13	B/G	66	5.3	DD		IDD-60 HV
IDD-60/13RS (30%)	R	66	2.7	6F	2	IDD-60RHVS30
IDD-60/13DW(30%)	W	66	5.3	FF		IDD-60WHVS30
IDD-60/13 (30%)	B/G	66	5.3	DD		IDD-60 HVS30
IDD-120/30R	R	312	12.5	76	3	IDD-120RHV
IDD-120/30DW	W	312	25	-		IDD-120WHV
IDD-120/30	B/G	312	25	-		IDD-120 HV
IDD-120/30RS (30%)	R	312	12.5	-	4	IDD-120RHVS30
IDD-120/30DW (30%)	W	312	25	-		IDD-120WHVS30
IDD-120/30 (30%)	B/G	312	25	-		IDD-120 HVS30

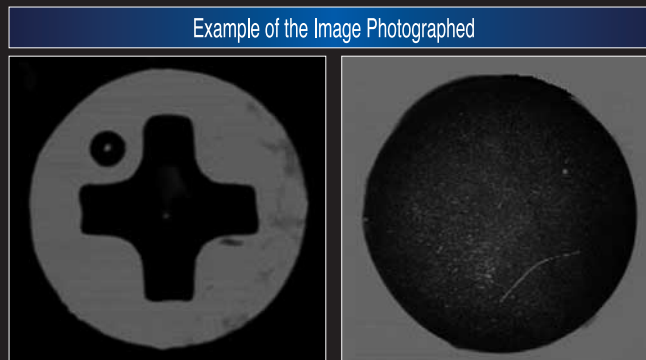
represents B = blue, or G = green.

A diffusing dome (transmissivity of 30%, 60%, 80%) can be mounted. Number of LEDs, power consumption, SAG value, and outline drawing are for DC12V products. Please contact us for specifications of DC24V products.

\* SAG represents the maximum SAG setting value. For details, refer to page 54.



Example of use



Example of the Image Photographed

A curved surface of a screw head can be totally illuminated by irradiating strong light uniformly.

Work: Screw  
Light: IDD-60 / 13B

The optional diffusing dome enables uniform lighting on a sphere work, and even fine dust can be photographed.

Work: Sphere  
Light: IDD-60/13DW (with diffusing dome)