

LED Direct Bar Light

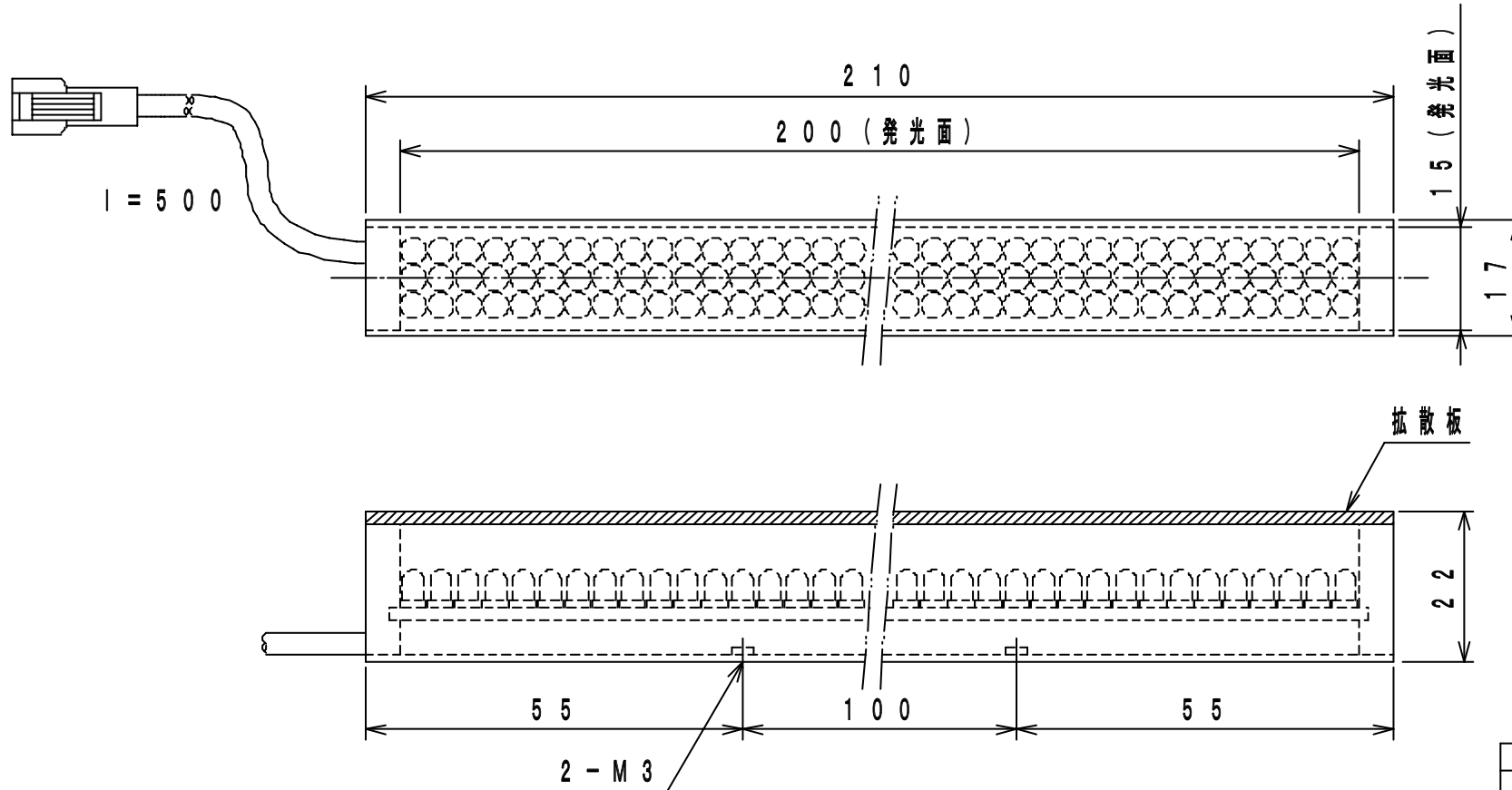
IDB-15/200WS

Details of Connector



	Light	Power Supply
Connector	SMR-02V-B	SMP-02V-BC
Contact	BYM-001T-0.6	BHF-001T-0.8SS

- * 147 White LEDs
- * Only 12V USE
- * Electric Power Consumption 11.8W



承	認	作	成

211-161