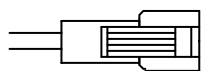


# LED Direct Bar Light

IDB-100/11R

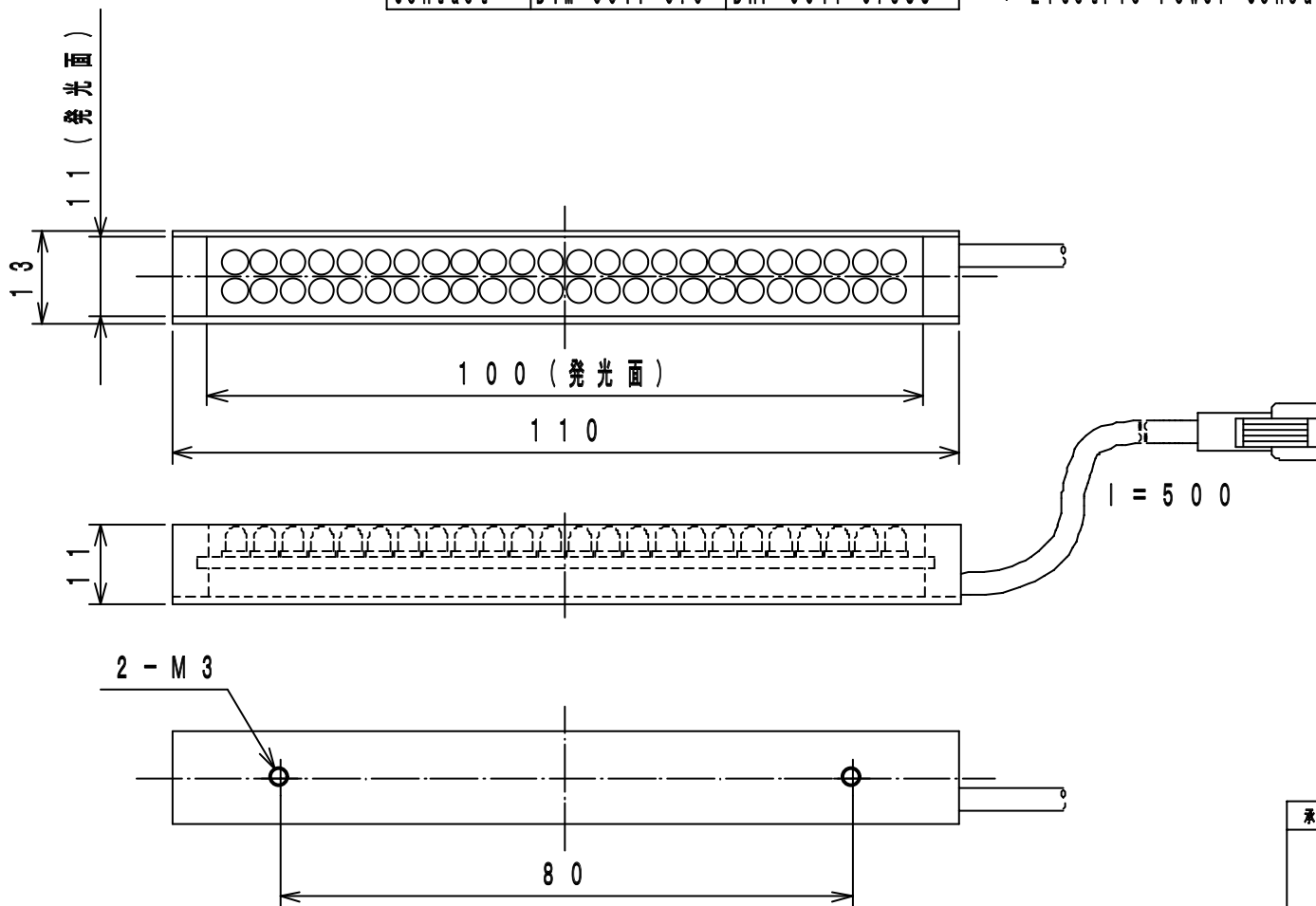
## Details of Connector



1 plus + (White/Black)  
2 minus - (Black)

	Light	Power Supply
Connector	SMR-02V-B	SMP-02V-BC
Contact	BYM-001T-0.6	BHF-001T-0.8SS

- \* 48 Red LEDs
- \* Only 12V USE
- \* Electric Power Consumption 2.0W



承	認	作	成

2 1 1 - 0 9 0



V.S. Technology Corp.