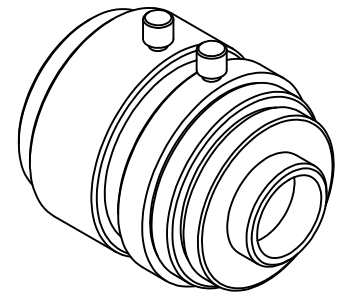
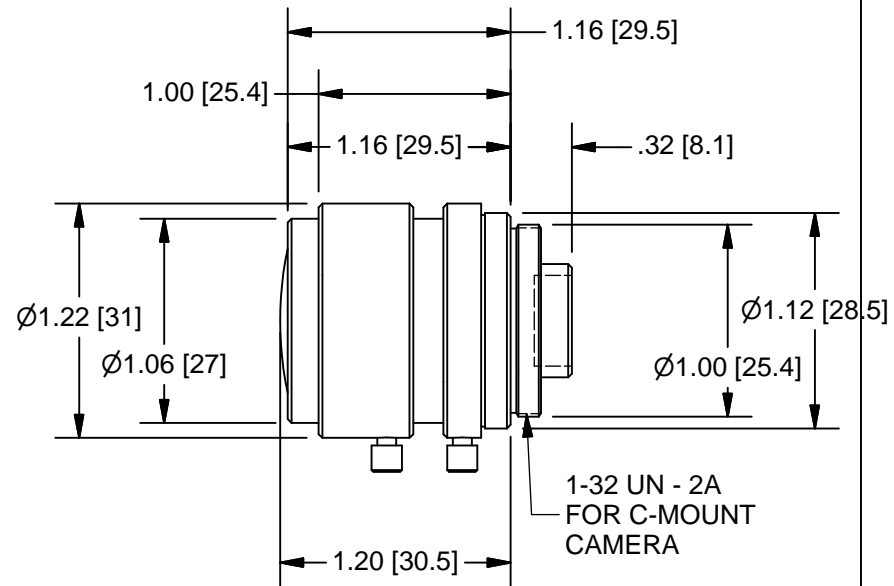
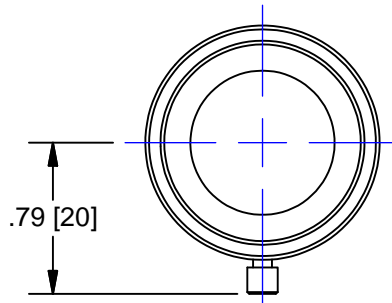


LENS SPECIFICATIONS - NMV5WA	
Specification	Value
Focal length	f=4.5mm+/-5%
Max. Diameter (Ratio)	F=1:1.4+/-5%
Element	6 Group 7 Elements
Picture Size	4.8 x 6.4mm
Angle - Horizontal	59.4
Vertical	79.0
Diagonal	98.2
Distortion (TV)	-17.1%
Shooting Range @ M.O.D. - Horizontal	180 mm
Verical	260 mm
Diagonal	364 mm
Minimum Object Distance	0.2m
Flange Back	17.526 mm in air
Back Focus	9.96mm in air
Filter Screw Size	
Effective Diameter - Front -	15.2 mm dia.
Rear -	10.1 mm dia.
Mount	C - Mount
Exit Pupil	-17.5 mm
Temperature Range	-10 ~ +45 deg. C
Strong Temperature Range	-40 ~ +60 deg. C
Resolution - Center -	100 Line/mm
Cornter	60 Line/mm
Stopper Strength	10 kgf * cm
Endurance Tests - Iris -	5000 Times
Focus -	5000 Times
Operating Torque - Iris -	50 ~ 600 gf * cm
Focus -	100 ~ 1000 gf * cm
Weight -	71g+/-5g



OUTLINE

UNLESS OTHERWISE SPECIFIED DIMENSIONS ARE IN INCHES AND INCLUDE CHEMICALLY APPLIED OR PLATED FINISHES	
SCALE:	1:1
WEIGHT:	See Table
DR:	BE
CH:	
PROJECT #:	
DATE DR:	7/10/2007

THE CONTENTS OF THIS DOCUMENT ARE PROPRIETARY TO NAVITAR. ITS USE IS AUTHORIZED ONLY FOR RESPONDING TO REQUEST FOR QUOTATION OR PERFORMANCE OF WORK FOR NAVITAR	
0.0	1.0
inch	
0.0	25.0
mm	
DO NOT SCALE DRAWING	

 ROCHESTER, NEW YORK		
LENS, 4.5mm FL WD. ANG., 1/2", f/1.4		
SIZE	NMV - 5WA	REV
A		A
SHEET 1 OF 1		