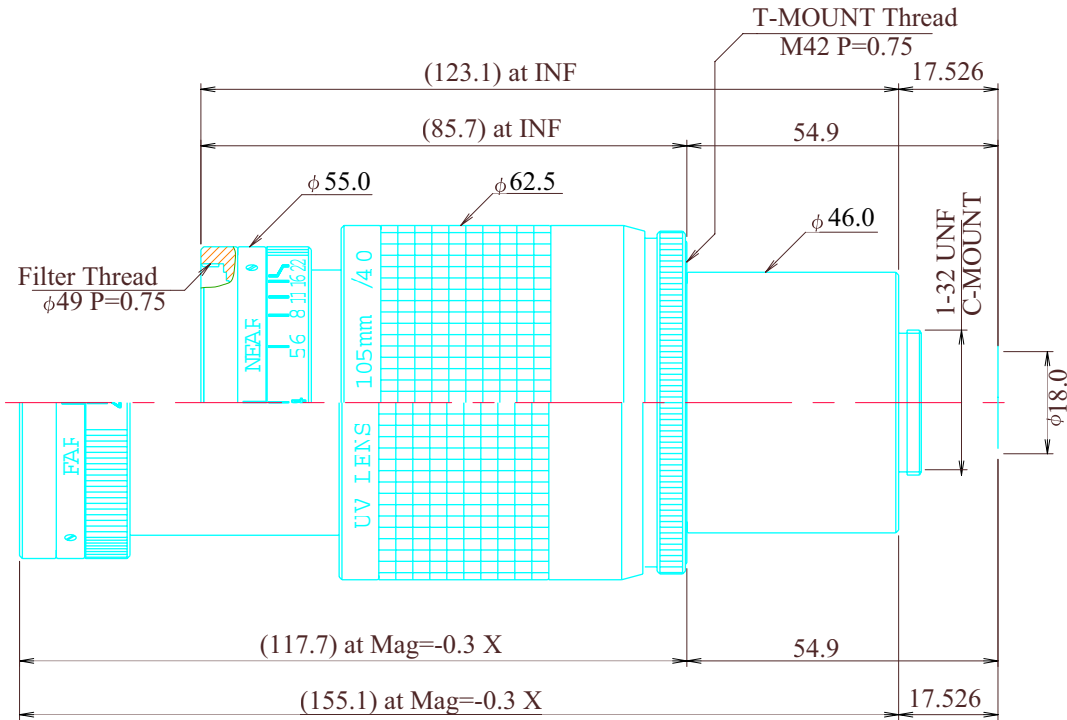


Item No. GMUV510540C



ITEM NO.	GMUV510540
Focal Length	105 (mm)
Aperture Ratio	F4.0 - 22
Image Circle	18 (mm)
Angle of View at Infinity	6.98° x 5.24° x 8.73° (at 1inch Format)
Optical Distortion	-0.11 (%) (DIAGONAL)
Filter Thread	M=49.0 , P=0.75
Mount	C-Mount , T-Mount

All Quartz Lens(3 Groups & 3 Elements). All surface are antireflection coated. MgF2 single coat.
Transmission From UV(230nm,250nm,266nm) to NIR

GOYO OPTICAL Inc.,

Japanese Office

3-8-31 HAMASAKI,
ASAKA,
SAITAMA 351-0033,
JAPAN,
TEL:048-474-2235
FAX:048-474-7373
E-MAIL:info@goyooptical.com

German Office

KURHAUSSTR,3
ROOM N'19
D-55543 BAD KREUZNACH
GERMANY
TEL:0671-4822255
FAX:0671-43603
E-MAIL:info@goyooptical.com